

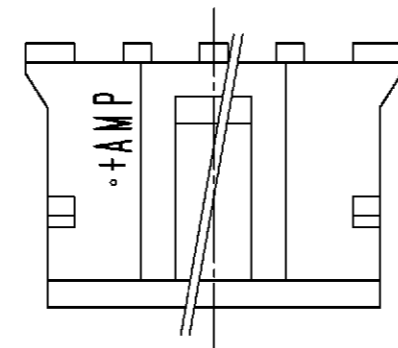
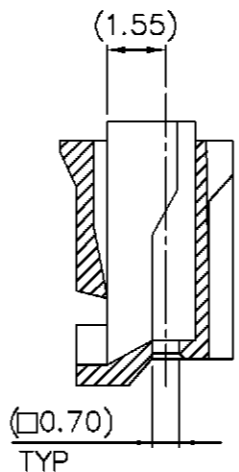
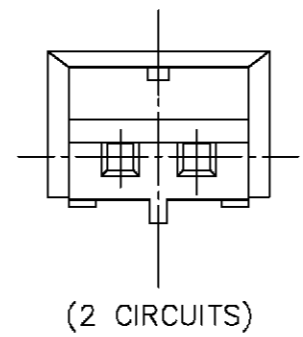
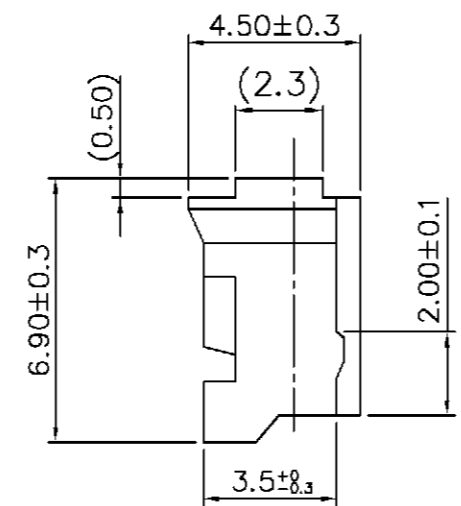
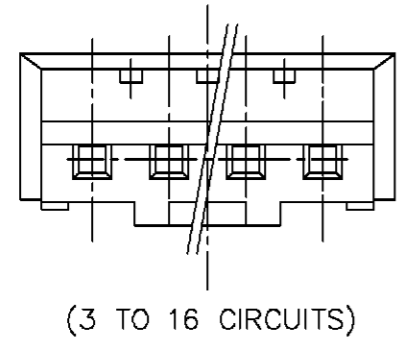
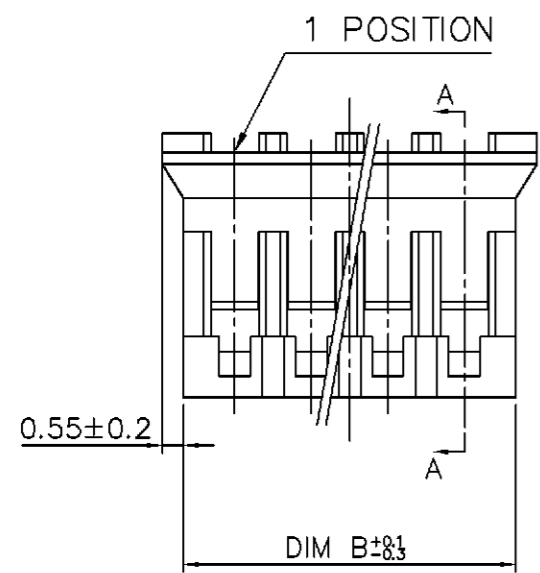
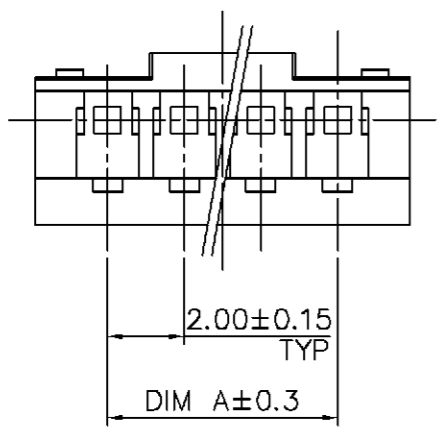
NUMBER
C-440129

METRIC
3RD ANGLE PROJECTION

METRIC


DIMENSIONS IN MILLIMETERS. DO NOT SCALE PRINT.

PRINT DIST
DW



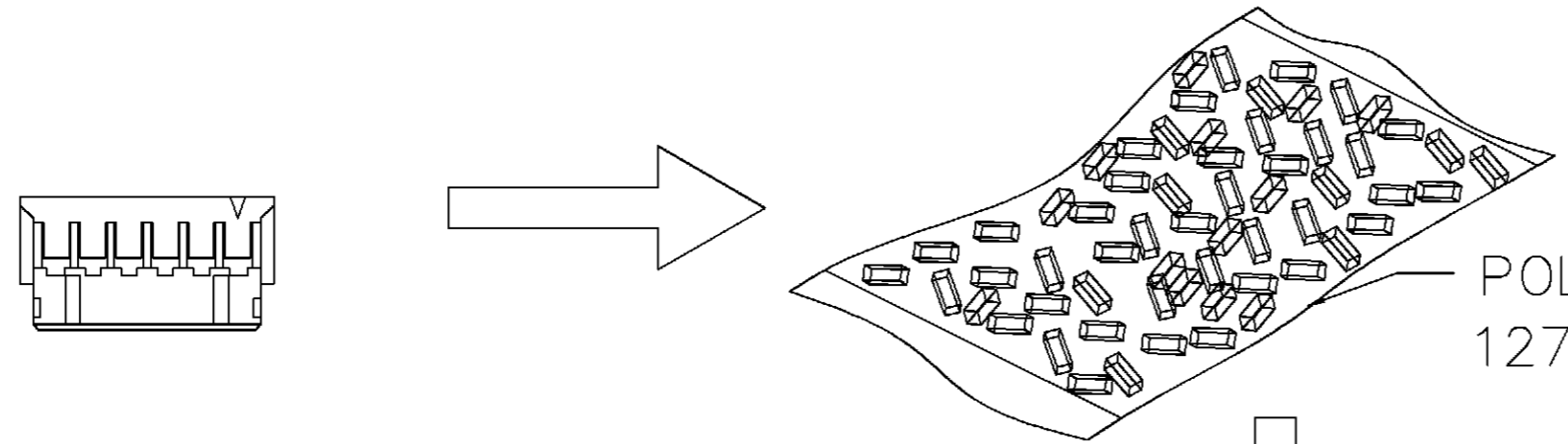
NOTE:
1. MATERIAL :
HOUSING : THERMOPLASTIC UL94V-0,
COLOR: SEE TABLE.

COLOR	DIM B	DIM A	POS.	PART NUMBER
RED	10.70	8.00	5P	8-440129-5
	8.70	6.00	4P	8-440129-4
	6.70	4.00	3P	8-440129-3
	4.70	2.00	2P	8-440129-2
BLACK	10.70	8.00	5P	6-440129-5
	8.70	6.00	4P	6-440129-4
	6.70	4.00	3P	6-440129-3
	4.70	2.00	2P	6-440129-2
YELLOW	24.80	22.00	12P	5-440129-2
	22.80	20.00	11P	5-440129-1
	20.80	18.00	10P	5-440129-0
	18.80	16.00	9P	4-440129-9
	16.80	14.00	8P	4-440129-8
	14.80	12.00	7P	4-440129-7
	12.70	10.00	6P	4-440129-6
	10.70	8.00	5P	4-440129-5
	8.70	6.00	4P	4-440129-4
	6.70	4.00	3P	4-440129-3
4.70	2.00	2P	4-440129-2	
BLUE	10.70	8.00	5P	2-440129-5
	8.70	6.00	4P	2-440129-4
	6.70	4.00	3P	2-440129-3
	4.70	2.00	2P	2-440129-2
NATURAL WHITE	32.80	30.00	16P	1-440129-6
	30.80	28.00	15P	1-440129-5
	28.80	26.00	14P	1-440129-4
	26.80	24.00	13P	1-440129-3
	24.80	22.00	12P	1-440129-2
	22.80	20.00	11P	1-440129-1
	20.80	18.00	10P	1-440129-0
	18.80	16.00	9P	440129-9
	16.80	14.00	8P	440129-8
	14.80	12.00	7P	440129-7
12.70	10.00	6P	440129-6	
10.70	8.00	5P	440129-5	
8.70	6.00	4P	440129-4	
6.70	4.00	3P	440129-3	
4.70	2.00	2P	440129-2	

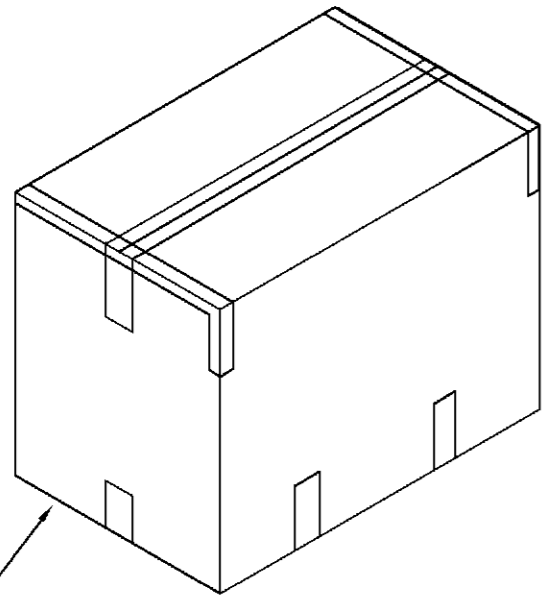
TOLERANCES UNLESS OTHERWISE SPECIFIED:		DWN O. HU 09-JUN-2003		 TE Connectivity NAME 2.0 MM PITCH HPI CRIMP HOUSING
0 PLC ±0.30 1 PLC ±0.25 2 PLC ±0.20 3 PLC ±0.15 ANGLES ±		CHK A. WU 09-JUN-2003		
MATERIAL SEE NOTE		APVD J. CHENG 09-JUN-2003		LOC SIZE DRAWING NO REV DW A ₃ C-440129 D1 WEIGHT SCALE SHEET 1 OF 2
FINISH SEE NOTE		APPLICATION SPEC -		

D1	REVISED PER ECO-11-005294	HMR	05APR 11
LTR	REVISION RECORD	DWN	CHK DATE

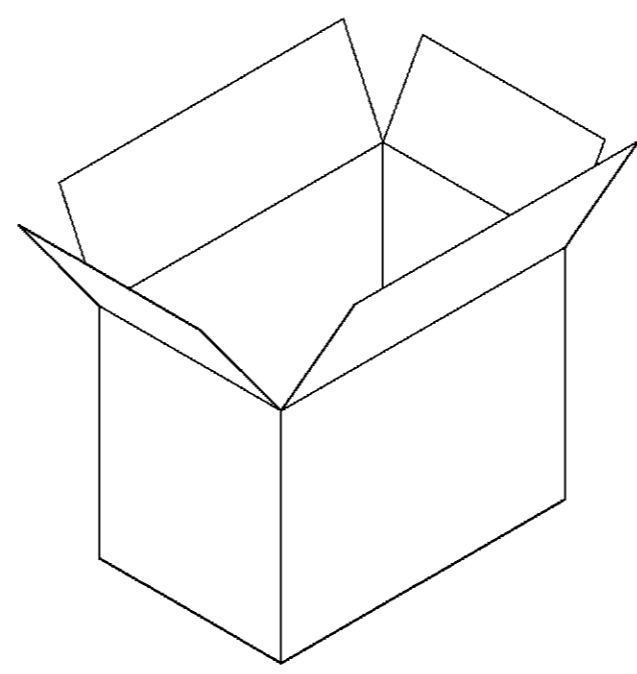
NUMBER C-440129
 METRIC
 DIMENSIONS IN MILLIMETERS. DO NOT SCALE PRINT.
 PRINT DIST DW



POLY BAG
127mm(L)X 203mm(W)X 0.07mm(H)



CARTON
320mm(L)X 220mm(W)X 140mm(H)
(FOR HEADER 2P~5P ONLY)
340mm(L)X 470mm(W)X 316mm(H)
(FOR HEADER 6P~16P ONLY)



15,000	1,000	5P	8-440129-5
18,000	1,000	4P	8-440129-4
20,000	1,000	3P	8-440129-3
36,000	2,000	2P	8-440129-2
15,000	1,000	5P	6-440129-5
18,000	1,000	4P	6-440129-4
20,000	1,000	3P	6-440129-3
36,000	2,000	2P	6-440129-2
30,000	1,000	12P	5-440129-2
35,000	1,000	11P	5-440129-1
40,000	1,000	10P	5-440129-0
45,000	1,000	9P	4-440129-9
50,000	1,000	8P	4-440129-8
10,000	1,000	7P	4-440129-7
12,000	1,000	6P	4-440129-6
15,000	1,000	5P	4-440129-5
18,000	1,000	4P	4-440129-4
20,000	1,000	3P	4-440129-3
36,000	2,000	2P	4-440129-2
15,000	1,000	5P	2-440129-5
18,000	1,000	4P	2-440129-4
20,000	1,000	3P	2-440129-3
36,000	2,000	2P	2-440129-2
25,000	1,000	16P	1-440129-6
25,000	1,000	15P	1-440129-5
25,000	1,000	14P	1-440129-4
30,000	1,000	13P	1-440129-3
30,000	1,000	12P	1-440129-2
35,000	1,000	11P	1-440129-1
40,000	1,000	10P	1-440129-0
45,000	1,000	9P	440129-9
50,000	1,000	8P	440129-8
10,000	1,000	7P	440129-7
12,000	1,000	6P	440129-6
15,000	1,000	5P	440129-5
18,000	1,000	4P	440129-4
20,000	1,000	3P	440129-3
36,000	2,000	2P	440129-2
APQ	PPQ	POS.	PART NUMBER
(PCS/CARTON)	(PCS/BAG)		

TOLERANCES UNLESS OTHERWISE SPECIFIED: 0 PLC ± 1 PLC ± 2 PLC ± 3 PLC ± ANGLES ±	DWN	O. HU	TE Connectivity NAME 2.0 MM PITCH HPI CRIMP HOUSING
		09-JUN-2003	
MATERIAL SEE SHEET 1.	CHK	A. WU	LOC SIZE DRAWING NO REV DW A ₃ C-440129 D1
		09-JUN-2003	
FINISH SEE SHEET 1.	APVD	J. CHENG	SCALE SHEET -- 2 OF 2
		09-JUN-2003	
	PRODUCT SPEC	108-57100	
	APPLICATION SPEC	-	
	WEIGHT		

LTR	REVISION RECORD	ECN	DWN	CHK	DATE
	SEE SHEET 1.				